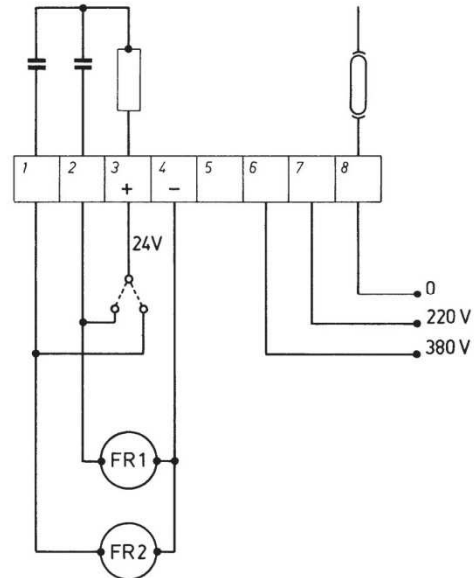
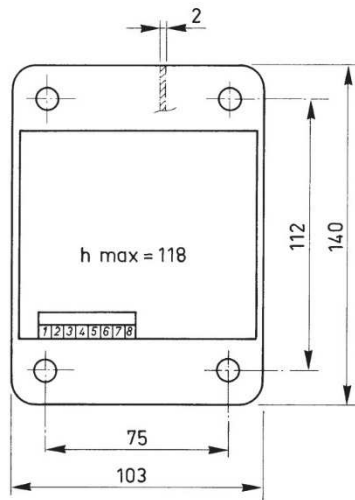


SERIE/MODEL	AFE □□□
CODICE/CODE	51.04.AFE□□□



□□□	WATT *
030	30
060	60
100	100
150	150
200	200

\* = A richiesta, fino a 1000 W  
\* = On demand, up to 1000 W