

SERIE/MODEL

CODICE/CODE

1

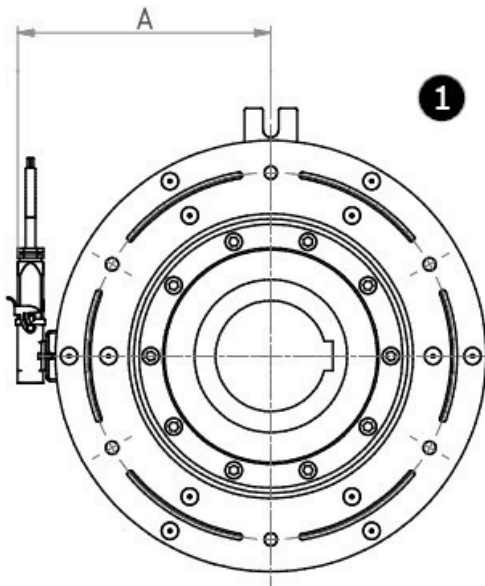
EMSL □□□/DF

08.26.□□□.xx

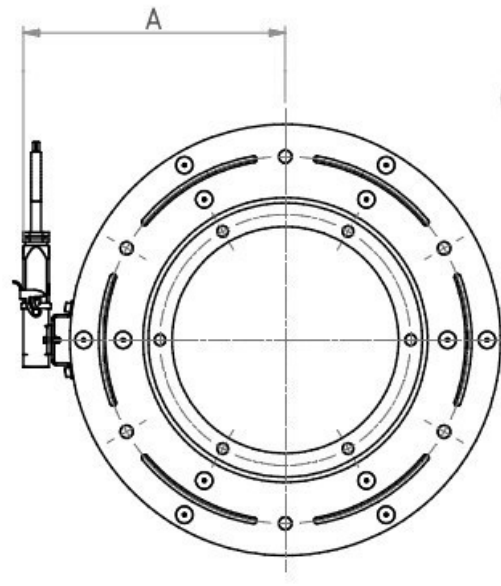
2

EMFL □□□/DF

08.28.□□□.xx



1



2

INGOMBRO CONNETTORE CONNECTOR SIZE	A										
	90	120	150	170	210	260	310	400	500	600	
EMSL/DF	61	78	90	99	122	181	211	240	285	341	
EMFL/DF	65	82	93	106	129	188	218	249	293	349	